

VTD 3609



Connection plate of motorized table

SPECIFICATIONS

- Integration case with built-in electric motorization
- Enable the connection of a computer with audio, of a video with audio, of 2 LAN web sockets and 2 220 Volts power supplies
- Commutation button for the control of a switcher by dry contacts
- Possibility of controlling the opening and the closure by push-button, or by automation through the RS-485
- Removable connecting frontage for cable on internal terminals
- Application: conference room, classroom, meeting room, ...



TECHNICAL DATAS

TYPE	FRONT CONNECTIONS	INTERNAL CONNECTIONS
Computing	1 x HD-15 female	Install terminals
Audio	2 x RCA female 1 jack audio 3.5 mm	Install terminals Install terminals
Video	1 x RCA female	Install terminals
Network	2 x RJ-45 female	Install terminals
Main socket	2 x type E french main socket	1 x main socket IEC male
Commutation	1 x push-button	Install terminals

CONTROL

Port com (RS 485)	1 DB-9 female
-------------------	---------------

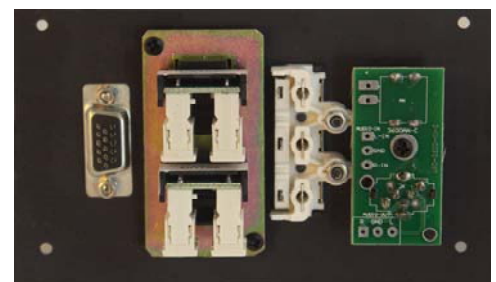
WEIGHT AND SIZES

Sizes (W x H x D)	200 x 190 x 126 mm
Weight	4,6 Kg

CONNECTICS



Inputs connectics front



Connectics backpanel

VITY TECHNOLOGY
180 rue Pierre Landais
56 850 Caudan - France

Tel.: +33 (0)2 97 89 20 02
Fax.: +33 (0)2 97 89 20 10

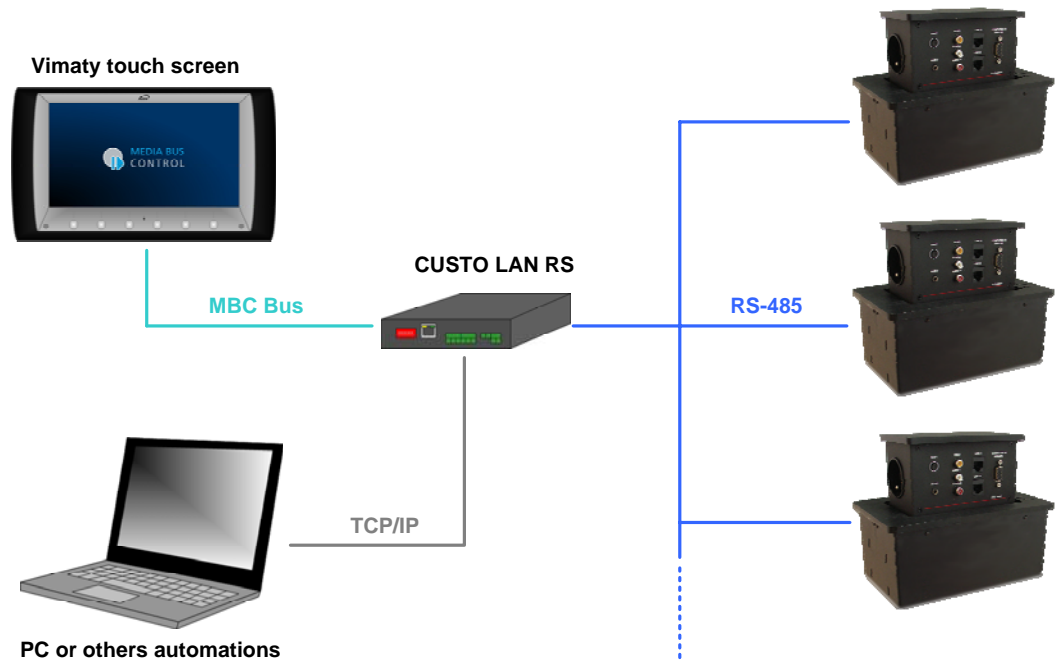
info@vity.com
www.vity.com

VTD 3609

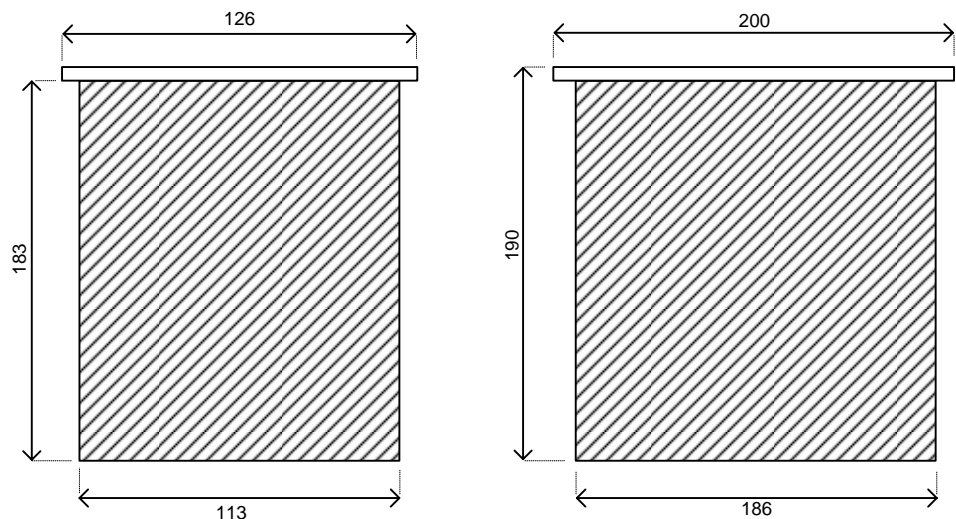


CONNECTION PLATE OF MOTORIZED TABLE

APPLICATION SCHEME



INTEGRATION PLAN



VITY TECHNOLOGY

180 rue Pierre Landais
56 850 Caudan - France

Tel.: +33 (0)2 97 89 20 02
Fax.: +33 (0)2 97 89 20 10

info@vity.com
www.vity.com