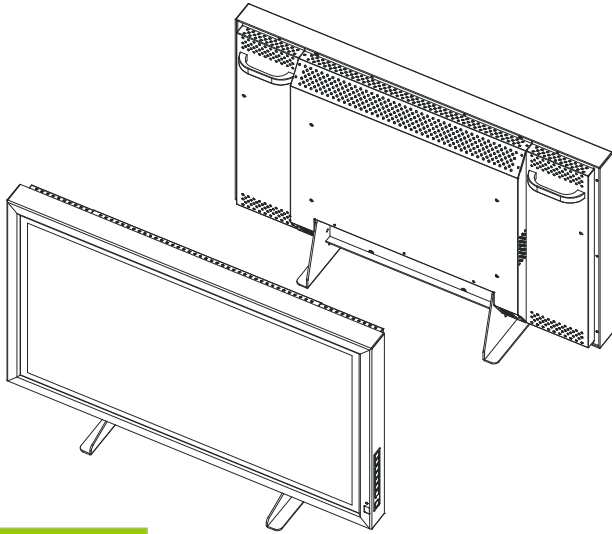


▶ 32" SECURITY LCD DISPLAY

# RX-W42



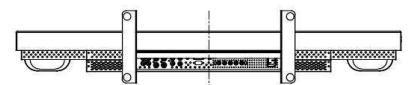
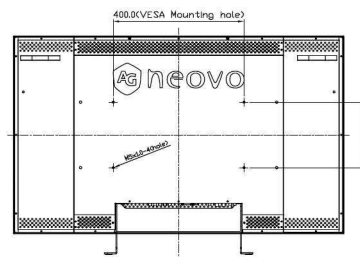
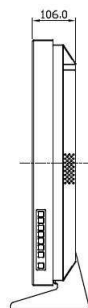
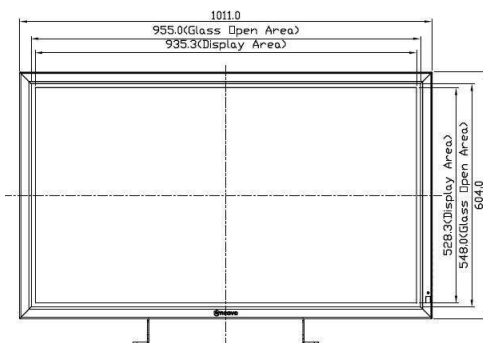
▶ FEATURES

- 1920 x 1080 Full HD resolution
- High contrast ratio 5000:1
- NeoV™ Optical Glass
- PIP, POP and VOV functions
- 3D Comb Filter/3D Deinterlace/ 3D Noise Reduction
- Built-in HDCP allows HD-format video
- Low power consumption
- Multiple video input (BNC in x2, BNC out x2)
- NTSC/PAL video system support
- Quick signal-switching time
- IR remote control
- Slim border & bezel design
- Durable metal housing
- Built-in speakers
- Control key lock function
- VESA standard wall mount

▶ SPECIFICATION

<b>Panel</b>	Panel Type	TFT LCD
	Panel Size	42"
	Max. Resolution	1920 x 1080
	Pixel Pitch	0.4845 mm
	Brightness	500 cd/m <sup>2</sup> (Typical)
	Contrast Ratio	5000:1 (Typical)
	Viewing Angle (H/V)	178°/178° (Typical)
	Display Color	16.7 M
	Response Time (GTG)	6.5 ms
Panel Life Time	50,000 hrs	
<b>Frequency (H/V)</b>	H:	31kHz – 80kHz
	V:	56Hz – 75Hz
<b>Input</b>	VGA	15-Pin D-Sub
	DVI	24-Pin DVI-D
	CVBS	BNC x 2
	S-Video	4-Pin mini din
	Component (YPbPr)	BNC x 2
<b>Output</b>	CVBS	BNC x 2
	S-Video	4-Pin mini din
<b>Audio</b>	Audio Input	1 x stereo audio in for PC (audio jack, 3.5 Ø)
		1 x stereo audio in for CVBS (RCA)
		1 x stereo audio in for S-Video (RCA)
	Audio Out	2 x stereo audio in for YPbPr (RCA)
		1 x stereo audio out for CVBS (RCA)
		Speaker
<b>Power</b>	DC output	12V/ 350mA, DC jack 2.5 Ø
	Power	100 - 240V, 50 - 60Hz
	Consumption	150W (On) /10W (Off)
<b>Operating Conditions</b>	Temperature	0°C ~ 40°C (32°F~104°F)
	Humidity	10%~85% (No condensation)
<b>Storage Conditions</b>	Temperature	-20°C ~ 60°C (-4°F~140°F)
	Humidity	10%~95% (No condensation)
<b>Mounting</b>	VESA FPMPMI	Yes (400mm x 200mm)
<b>NeoV™ Optical Glass</b>	Thickness	3.0mm (0.18")
	Reflection Rate	<1%
	Coating Hardness	9H
<b>Dimensions</b>	W/o base (W x H x D)	1011mmx604mmx106mm (39.8" x 23.8" x 4.2")
	With base (W x H x D)	1011mmx667mmx190mm (39.8" x 26.3" x 7.5")
<b>Weight (net)</b>	W/o base weight	27.0 Kg (59.5 lbs)
	With base weight	28.4 Kg (62.6 lbs)

All specifications are subject to change without prior notice



[www.agneovo.com](http://www.agneovo.com)

Copyright © 2009 AG Neovo. All rights reserved.  
The name AG Neovo is a trademark of Associated Industries China, Inc.  
All other trademarks are the property of their respective owners.